

## DS-2DE2103 Series

### E Series 1 Megapixel Mini PTZ Dome Network Camera



### Key features

#### System function:

- High performance CMOS, up to 1280x720@30fps resolution
- $\pm 0.1^\circ$  Preset Accuracy
- ONVIF(Open Network Video Interface Forum), CGI(Common Gateway Interface), PSIA(Physical Security Interoperability Alliance), to ensure greater interoperability between different platforms and compatibility
- 3D intelligent positioning function
- Power-off memory function: restore PTZ & Lens status after reboot
- PoE(802.3af)
- Optional WiFi(-W)

#### Camera function:

- Auto iris, auto focus, auto white balance, backlight compensation, and auto/manual day & night switch
- Min. Illumination: 0.05Lux@F1.6(Color), 0.01Lux@F1.6(B/W)
- Support 3D DNR and Digital WDR

#### PTZ function:

- 0-350° pan range and 0°-90° tilt range
- 100°/s Pan Preset Speed and 100°/s Tilt Preset Speed
- 0.1°-80°/s Manual Pan Speed and 0.1°-80°/s Manual Tilt Speed
- 256 presets programmable; preset image freezing capability
- 8 patrols, up to 32 presets per patrol

#### Network function:

- Built-in Web server
- Micro SD card local storage
- Support up to 8 NAS storage; Transmit the videos from SD card to the NAS after network resumed
- HTTPS encryption and IEEE 802.1x port-based network access control
- Support dual-stream; H.264/MJPEG video compression; Basic and advanced video configuration; Real time video at 1080P or 720P
- Multiple network protocols supported: IPv4/IPv6, TCP/IP, HTTP, DHCP, DNS, DDNS, RTP, RTSP, PPPoE, SM

TP, NTP, UPnP, SNMP, FTP, 802.1x, QoS, HTTPS

- 1 audio input and 1 audio output
- 1 alarm input and 1 alarm output, alarm linkage support preset, patrol, pattern, recording, relay output, upload center, etc.

## Application Scenarios

It can be widely applied to places requiring wide-area monitoring and high-definition display, such as rivers, forests, highways, railways, airports, ports, sentries, squares, parks, scenic sites, streets, stations, large venues, outside of residential areas, etc.

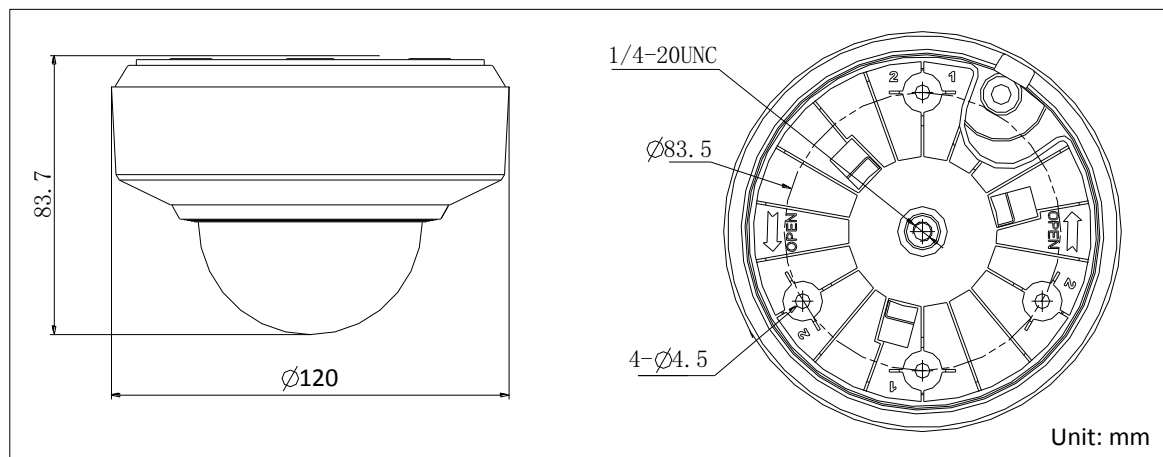
## Specifications

Model		DS-2DE2103 series
Parameter		E Series 1 Megapixel Network Mini PTZ Dome Network Camera
Camera	Image Sensor	1/3" Progressive Scan CMOS
	Effective Pixel	1280(H) ×720(V)
	Min. Illumination	Color: 0.05Lux@(F1.6, AGC On) B/W: 0.01Lux@(F1.6, AGC On)
	White Balance	Auto/Manual/ATW/Indoor/Outdoor/Daylight lamp/Sodium lamp
	AGC	Auto / Manual
	S / N Ratio	≥ 52dB
	3D DNR	Support
	BLC	Support
	Digital WDR	Support
	Shutter Time	1/1-1/10,000s
	Day & Night	IR Cut Filter
	Digital Zoom	16X
	Privacy Mask	8 privacy masks programmable
	Focus Mode	Auto / Semiautomatic / Manual
Lens	Focal Length	3.6-11mm, 3x
	Zoom Speed	Approx.1s(Optical Wide-Tele)
	Angle of View	80-33 degree (Wide-Tele)
	Aperture Range	F2.0
Pan and Tilt	Pan Range	0-350°
	Pan Speed	Pan Manual Speed: 0.1° -100°/s, Pan Preset Speed: 100°/s
	Tilt Range	0°-90°(Auto Flip)
	Tilt Speed	Tilt Manual Speed: 0.1°-80°/s, Tilt Preset Speed: 80°/s
	Proportional Zoom	Rotation speed can be adjusted automatically according to zoom multiples

	Number of Preset	256
	Patrol	8 patrols, up to 32 presets per patrol
	Park action	Pattern/Pan scan/Tilt scan/Frame scan/Panorama scan/Random scan
	Power-off Memory	Support
	PTZ Position Display	On / Off
	Preset Freezing	Support
	Scheduled Task	Preset / Patrol / Pattern / Pan scan / Tilt scan / Random scan / Frame scan / Panorama scan/Dome reboot/Self-test action
<b>Input/ Output</b>	Alarm Input	1 (0-5v DC)
	Alarm Output	1 relay output, alarm response actions configurable
	Alarm Trigger	Motion detection, Audio Exception Detection, Dynamic analysis, Tampering alarm, Network disconnect, IP address conflict, Storage exception
	Alarm Actions	Preset, Patrol, Pattern, Recording, Relay output, Upload center
	Audio Input	1 built-in microphone; 1 audio input (Mic/Line in), 2-2.4V[p-p]; output impedance: 1K $\Omega$ , $\pm$ 10%
	Audio Output	1 output, Line level, impedance: 600 $\Omega$
<b>Wi-Fi(W)</b>	Wireless Standards	IEEE802.11b, 802.11g, 802.11n
	Frequency Range	2.4 GHz ~ 2.4835 GHz
	Channel Bandwidth	20/40MHz Support
	Protocols	802.11b: CCK, QPSK, BPSK 802.11g/n: OFDM
	Security	64/128-bit WEP, WPA/WPA2, WPA-PSK/WPA2-PSK, WPS
	Transfer Rates	11b: 11Mbps 11g: 54Mbps 11n: up to 150Mbps
	Wireless Range	50m(*The performance varies depending on actual environment.)
<b>Network</b>	Ethernet	10Base-T / 100Base-TX, RJ45 connector
	Max. Image Resolution	1280 $\times$ 720
	Frame Rate (main stream)	50Hz: 25 fps (1280 $\times$ 720) 60Hz: 30 fps (1280 $\times$ 720)
	Frame Rate (sub stream)	50Hz:25fps(704 $\times$ 576), 25fps(352 $\times$ 288), 25fps(320 $\times$ 240) 60Hz:30fps(704 $\times$ 480), 30fps(352 $\times$ 240), 30fps(320 $\times$ 240)
	Image Compression	H.264/ MJPEG
	ROI encoding	Support 2 areas with adjustable levels
	Audio Compression	G.711/G.722/G.726/MP2L2
	Protocols	IPv4/IPv6, HTTP, HTTPS, 802.1X, QoS, FTP, SMTP, UPnP, SNMP, DNS, DDNS, NTP, RTSP, RTP, TCP, UDP,IGMP, ICMP, DHCP, PPPoE
	Number of Simultaneous Live View	Up to 6
	Dual Streams	Support
	Mini SD Memory Card	Built-in Micro SD card slot, up to 64GB, edge recording
	User/Host Level	Up to 32 users,3 Levels: Administrator, Operator and User
	Security Measures	User authentication (ID and PW),

		Host authentication (MAC address) IP address filtering
<b>System Integration</b>	Interface for application programming	Open-ended API, support Onvif, PSIA and CGI Support ezviz cloud P2P
	Client	iVMS-4200
	Web Browser	IE 7+, Chrome 18 +, Firefox 5.0 +, Safari 5.02 +
	Power	12V DC, PoE(802.3af) <b>Max.</b>
	Working Temperature / Humidity	-10°C-50°C (14°F-122°F)(indoor dome) 90% or less
	Protection Level	IP54 standard (indoor dome) TVS 4,000V lightning protection, surge protection and voltage transient protection
	Mounting	Various mounting modes optional
	Dimensions	Φ120×83.7mm
	Weight (approx.)	600g
	Mount Option (only suitable for outdoor dome)	Wall mount: DS-1294ZJ

## Dimensions



## Order models

- DS-2DE2103-DE3, 12VDC/PoE(802.3af), indoor
- DS-2DE2103-DE3/W, built-in WiFi, 12VDC/PoE(802.3af), indoor