

DS-2CE56C0T-VPIR



Key Features

- 1.0 Megapixel high-performance CMOS
- Turbo HD output, up to 720P resolution
- True Day/Night, Smart IR
- Up to 20m IR distance
- Vandal proof

Specification

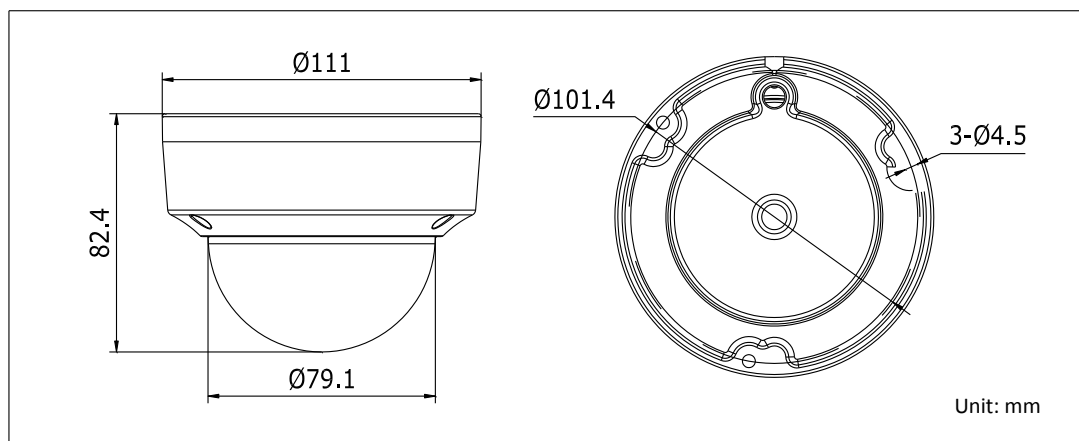
Model	DS-2CE56C0T-VPIR
Parameter	Turbo HD720p IR Dome Camera
Camera	
Image Sensor	Progressive Scan CMOS
Effective Pixels	1280(H)*720(V)
Min. Illumination	0.01 Lux @ (F1.2,AGC ON),0 Lux with IR
Shutter Time	1/25(1/30) s to 1/50,000 s
Lens	3.6mm (2.8mm, 6mm optional)
	Angle of View: 71°(3.6mm), 92°(2.8mm), 57°(6mm)
Lens Mount	M12
Angle Adjustment	Pan: 0 - 360°, Tilt: 0 - 90°, Rotation: 0 - 360°
Day & Night	ICR
Synchronization	Internal synchronization
Video Frame Rate	720p@25fps/720p@30fps
HD Video Output	1 turbo HD output
General	
Working Temperature/Humidity	-40 °C - 60 °C (-40 °F - 140 °F) Humidity 90% or less (non-condensing)

Power Supply	12V DC
Power Consumption	Max. 4W
IR Range	Up to 20m
Impact Protection	IK10
Dimension	$\Phi 111 \times 82.4(\Phi 4.37'' \times 3.24'')$
Weight(approx.)	550g (1.21 lb)

Order Model

DS-2CE56COT-VPIR

Dimension



Accessories



Inclined ceiling mount
DS-1259ZJ



Indoor/outdoor wall mount
DS-1272ZJ-110